

## LED-5060WYC3 WarmWhite (H238)

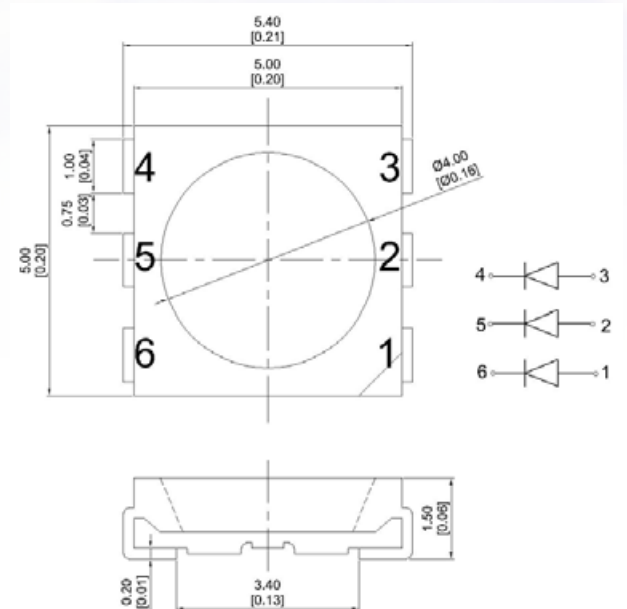
### Features

- Chips can be controlled separately.
- Suitable for all smt assembly and Solder process.
- Available on tape and reel.
- Package: 1000pcs / reel.

### Description

- The White source color devices are made with Gallium Arsenide Phosphide on Gallium Phosphide White Light Emitting Diode.
- It is recommended to use a wrist band or anti-electrostatic glove when handling the LEDs.
- All devices, equipment and machinery must be electrically grounded.

### Package Dimensions



### Notes:

1. All dimension units are millimeters.
2. All dimension tolerance is  $\pm 0.2$  mm unless otherwise noted.
3. An epoxy meniscus may extend about 1.5 mm down the leads.

LED Part No.	Dice	Lens Type	Iv (mcd) @ 60mA		Viewing Angle $2\theta_{1/2}$
			Min	Max	
LED-5060WYC3 WarmWhite (H238)	WHITE (InGaN)	Yellow Diffused	2900	4100	120°

### Note:

1.  $\theta_{1/2}$  is the angle from optical centerline where the luminous intensity is 1/2 the optical centerline value.

### Electro-Optical Characteristics (Ta=25°C)

Parameter	Symbol	Device	Min.	Typ.	Unit	Test Condition
Forward Voltage	VF	White	3.0	3.2	V	IF=60mA
Reverse Current	IR	White		5	uA	VR = 5V
Chromaticity Coordinates	X	White		0.43		
	Y	White		0.42		
Capacitance	C	White		100	pF	VF=0V; f=1MHz

### Absolute Maximum Rating

Parameter	White	Unit
Power Dissipation	315	mW
DC Forward Current	90	mA
Peak Forward Current [1]	300	mA
Reverse Voltage	5	V
Operating/Storage Temperature	-40~+85 °C	

### Note:

1. 1/10 Duty Cycle, 0.1ms Pulse Width.

### Reliability Test Items And Conditions

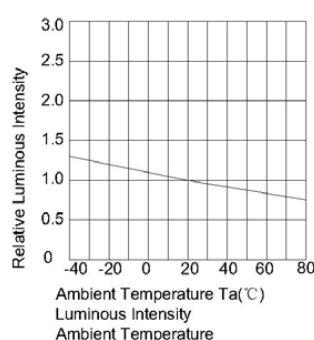
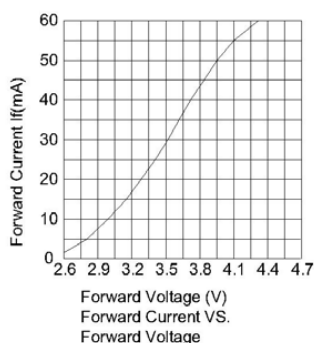
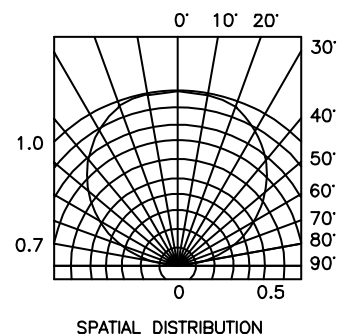
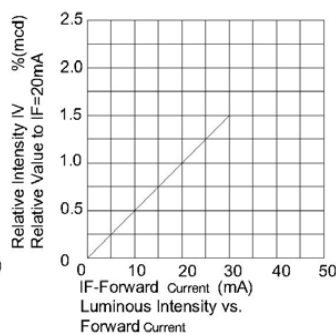
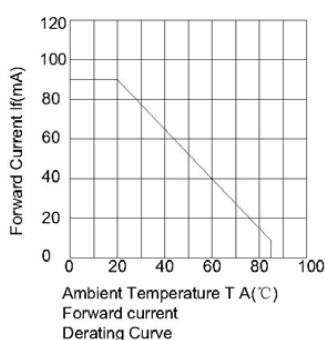
The reliability of products shall be satisfied with items listed below.

Confidence level :90% LTPD :10%

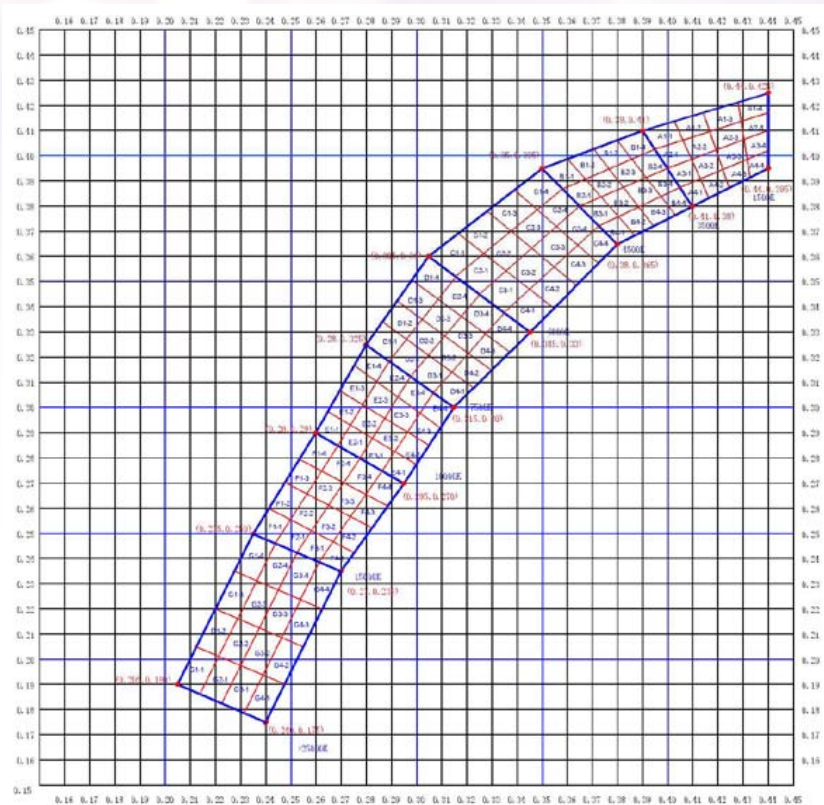
No.	Items	Test Condition	Test Hours/Cycles	Sample Size	Ac/Rc
1	Reflow	Temp: 260°C±5°C Min. 5 sec.	6 min.	22 Pcs.	0/1
2	Temperature Cycle	H:+100°C 15 min. ~ 5 min L:-40°C 15 min.	300 Cycles	22 Pcs.	0/1
3	Thermal Shock	H:+100°C 5 min. ~ 10 sec. L:-10°C 5 min.	300 Cycles	22 Pcs.	0/1
4	High Temperature Storage	Temp.: 100°C	1000 Hrs.	22 Pcs.	0/1
5	Low Temperature Storage	Temp.: -40°C	1000 Hrs.	22 Pcs.	0/1
6	DC Operating Life	IF=60mA	1000 Hrs.	22 Pcs.	0/1
7	High Temperature/ High Humidity	85°C/85%RH	1000 Hrs.	22 Pcs.	0/1

This products is made of soft silicon which can not endure pressure or it will be damaged.

The technical information shown in the data sheets are limited to the typical characteristics and circuit examples of the referenced products. It does not constitute the warranting of industrial property nor the granting of any license.



**CIE CHROMATICITY DIAGRAM**



**Tape Specifications (Units: mm)**

G X:0.24 Y:0.22	X	0.205	0.235	0.270	0.240	C X:0.35 Y:0.36	X	0.305	0.350	0.380	0.345
	Y	0.190	0.250	0.235	0.175		Y	0.360	0.395	0.365	0.330
F X:0.265 Y:0.26	X	0.235	0.260	0.295	0.270	B X:0.38 Y:0.38	X	0.350	0.390	0.410	0.380
	Y	0.250	0.290	0.270	0.235		Y	0.395	0.410	0.380	0.365
E X:0.285 Y:0.30	X	0.260	0.280	0.315	0.295	A X:0.41 Y:0.40	X	0.390	0.440	0.440	0.410
	Y	0.290	0.325	0.300	0.270		Y	0.410	0.425	0.395	0.380
D X:0.31 Y:0.33	X	0.280	0.305	0.345	0.315	Tolerance for each Bin limit is ±0.15 .					
	Y	0.325	0.360	0.330	0.300						

**SMT Reflow Soldering Instructions**

Number of reflow process shall be less than 2 times and cooling process to normal temperature is required between first and second soldering process.

