

## LED-7605RGBC

### FEATURES

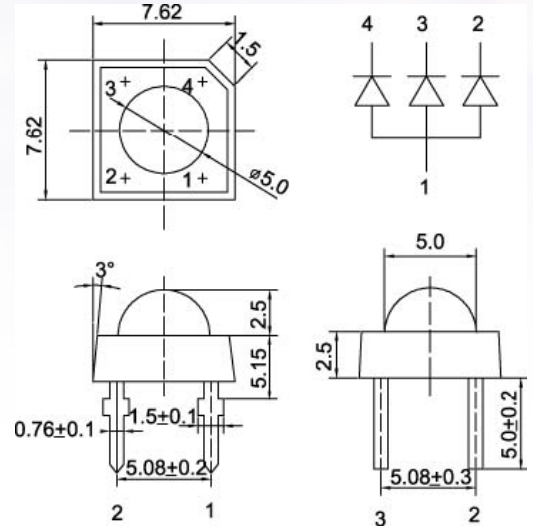
- Super Flux Output
- 5 φ Standard Directivity
- Superior Weather-resistance
- UV Resistant Epoxy
- Water Clear Type

### APPLICATIONS

- Toys
- Games
- Audio
- Backing Lighting

### Outline DIMENSIONS (Unit: mm, tolerance + 0.3 mm)

1. Common Anode, 2. Blue, 3. Green, 4. Red



### Absolute Maximum Rating (Ta=25°C)

Parameter	Symbol	Value		Unit
		Red	Green/Blue	
DC Forward Current	$I_{FPM}$	50	30	mA
Forward Pulse Current	$I_{FM}$	120	100	mA
Reverse Voltage	$V_R$	5	5	V
Power Dissipation	$P_D$	120	108	mW
Operating Temperature	$T_{opr}$	-30~+85		°C
Storage Temperature	$T_{stg}$	-40~+100		°C
Lead Soldering Temperature	$T_{sol}$	260°C/5sec		°C

### Electro-Optical Characteristics (Ta=25°C)

Parameter	Symbol	Test Condition	Min.	Typ.	Max.	Unit
Luminous Intensity	$I_v(\text{Red})$	$I_F=20\text{mA}$	-	2300	-	mcd
	$I_v(\text{Green})$			4000		
	$I_v(\text{Blue})$			1200		
Forward Voltage	$V_F(\text{R})$	$I_F=20\text{mA}$	1.8	2.1	2.4	V
	$V_F(\text{B/G})$		2.9	3.1	3.6	
Domi. Wavelength*	$\lambda_d(\text{Red})$	$I_F=20\text{mA}$	619	624	629	nm
	$\lambda_d(\text{Green})$		520	525	530	
	$\lambda_d(\text{Blue})$		465	470	475	
Reverse Current	$I_R$	$V_R=5\text{V}$	-	-	10	$\mu\text{A}$
50% Power Angle	$2\theta_{1/2}$	$I_F=20\text{mA}$	-	120	-	deg

